

Immersion assembly for conductivity measuring cells *DipFit P CLA 140*

**Immersion assembly with flange connection for
processes with exacting requirements,
with bayonet-type measuring cell holder**



Areas of application

- Waste water
- Paper industry
- Chemical industry
- Process industry

Benefits at a glance

- Simple installation and removal of the measuring cell holder due to bayonet lock
- Safe sealing even in media containing solids
- Suitable for use at high pressures and temperatures (up to 10 bar and 150 °C)
- Immersion depth from 500 ... 2500 mm
- Reduced condensation due to an active-breathing Goretex® filter
- Flexible process adaptation with various flange types (DIN, ANSI, JIS)

Quality made by
Endress+Hauser



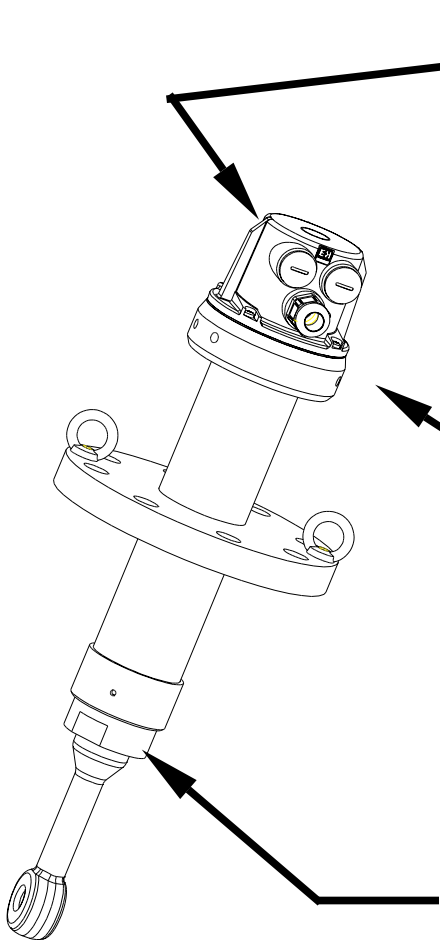
ISO 9001

Endress+Hauser

Nothing beats know-how



Stainless steel version



Rear view with nameplate and Goretex® filter



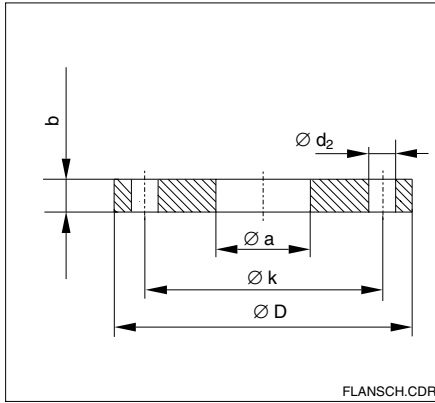
Upper part of assembly; view of flange and assembly head with Pg 13.5 cable gland and Pg 16 plugs



Measuring cell holder with bayonet lock

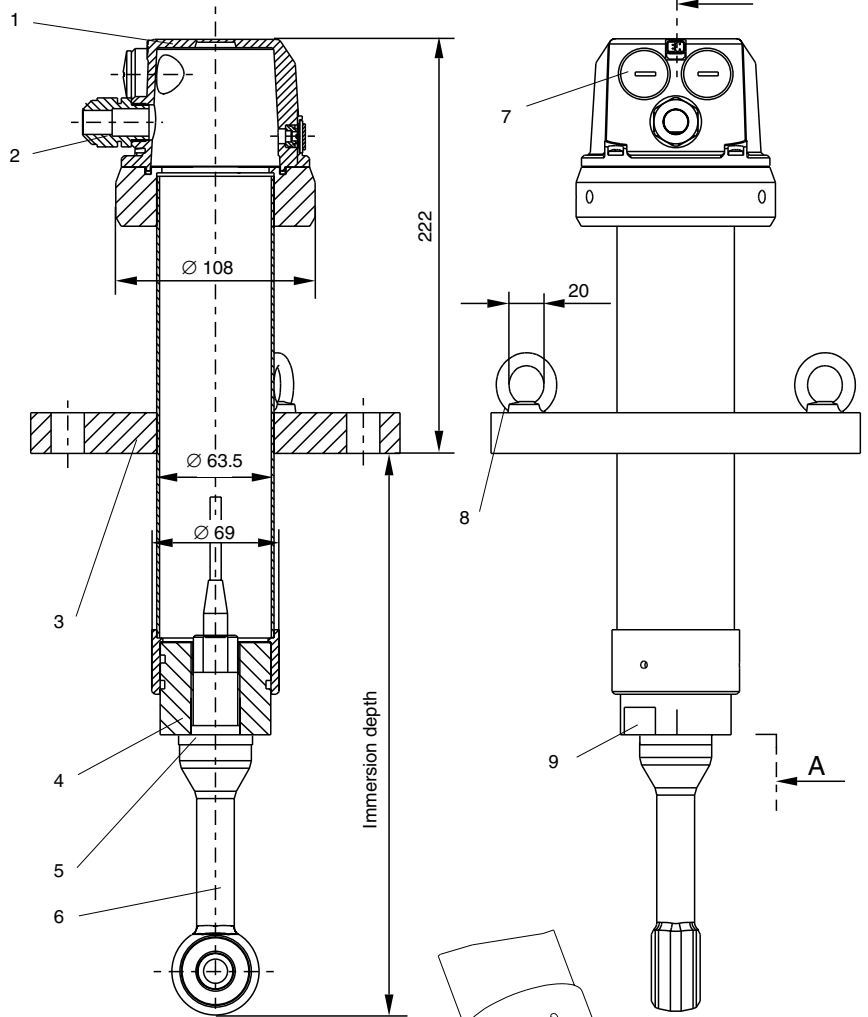
Stainless steel variant

Fixed flange dimensions



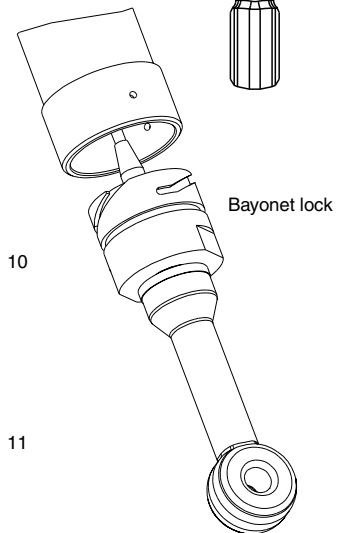
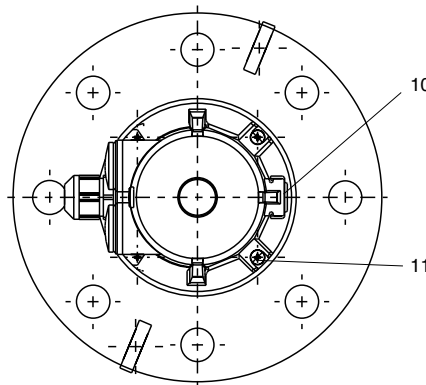
	Flange		
	DN 80 PN 16	ANSI 3" 150 lbs	JIS 10K 80A
Ø D	200	190.5	185
Ø k	160	152.4	150
Ø d ₂	18	19	19
b	20	23.8	18
Ø a	63.5	63.5	63.5
Screws	M 16	M 16	M 16

Section A-A



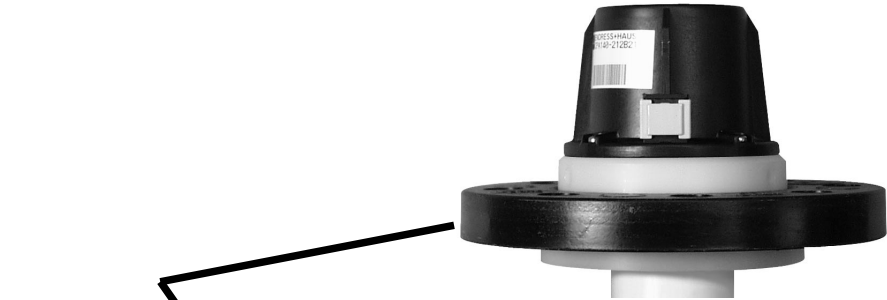
Dimensions of stainless steel assembly DipFit P CLA 140

- 1 Assembly head
- 2 Cable gland
Pg 13.5
- 3 Fixed flange
- 4 Measuring cell holder
- 5 Flat gasket
(supplied with measuring cell)
- 6 Conductivity measuring cell CLS 50
(not included in delivery)
- 7 Pg 16 plug
- 8 Screw-in lifting eyes
- 9 Flats for size 55 wrench
- 10 Goretex® filter
- 11 M4 screw

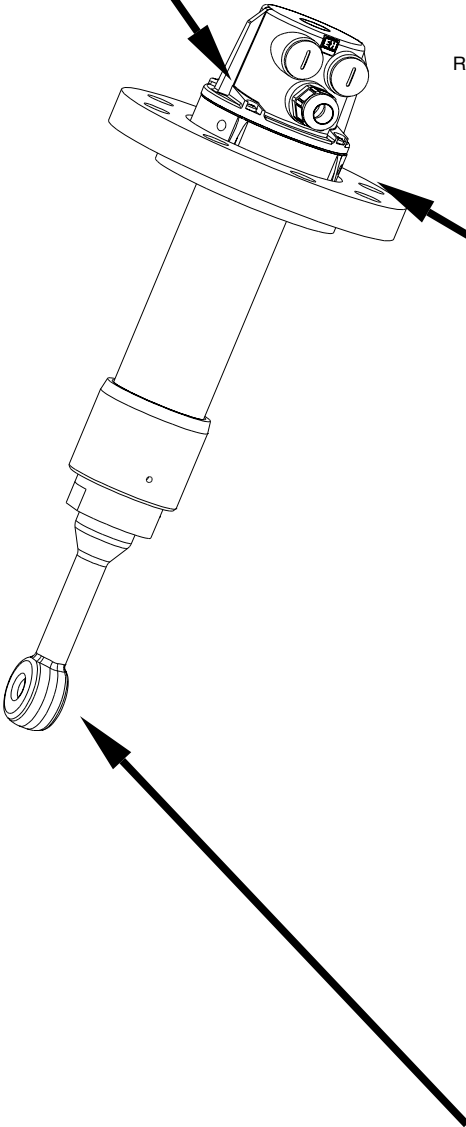


LA140-01.CDR

PVDF version



Rear view of Goretex® filter cover



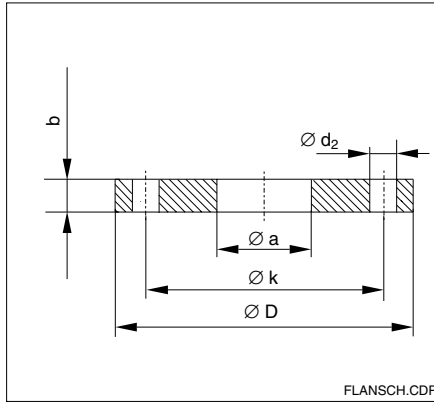
Upper part of assembly; view of flange and assembly head with Pg 13.5 cable gland and Pg 16 plugs



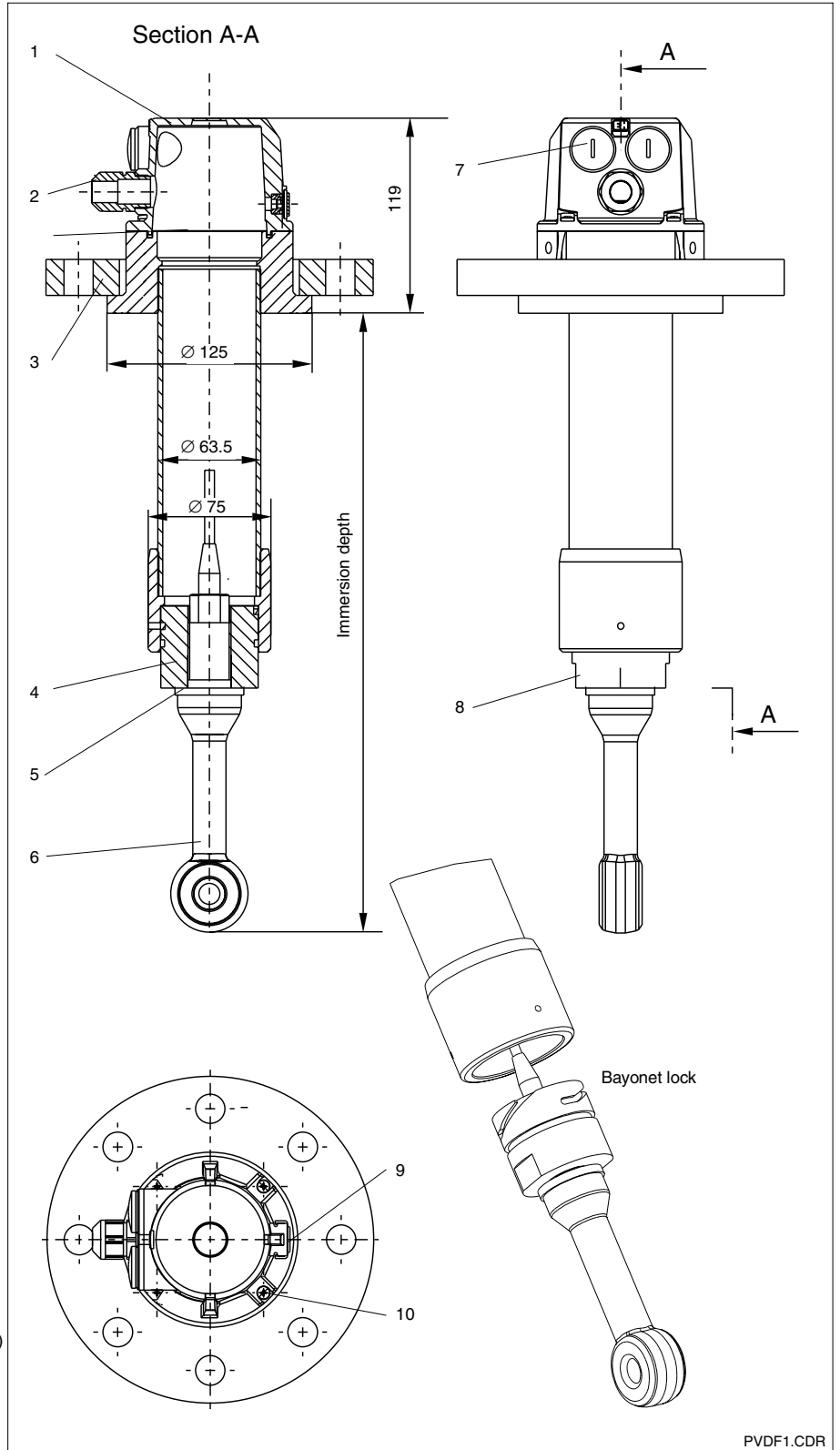
View of measuring cell holder; with conductivity measuring cell CLS 50 built in

PVDF version

Loose flange dimensions



	Flange		
	DN 80 PN 16	ANSI 3" 150 lbs	JIS 10K 80A
Ø D	200	200	185
Ø k	160	152	150
Ø d ₂	18	19	19
b	22	22	18
Ø a	110	110	110
Screws	M 16	M 16	M 16



Accessories

- **O-ring sets:**

- EPDM order no. 51500064
- Viton order no. 51500065
- Chemraz order no. 51500066
- Fluoraz order no. 51500067

- **Extension cable CLK 5**

Unprepared measuring cable
(to be ordered by the metre)
Order no. 50085473

- **Junction box VBM**

Junction box for extension of cable
connection between measuring cell and
measuring instrument; cast aluminium;
dimensions: 125 x 80 x 35 (LxWxH);
comes with 10 internal high-resistance
terminal blocks; protection type IP 65

For non-Ex applications
Order no. 50003987

For Ex applications (zone 1)
Order no. 50003991

Technical data

General data

Manufacturer	Endress+Hauser
Equipment designation	DipFit P CLA 140

Installation

Immersion depth	500 ... 2500 mm
Number of measuring cell mounting positions	1 x G ¾
Installation diameter required	DN 80
Cable entry	1 x Pg 13.5; 2 x Pg 16 plugs
Protection type	IP 65

Mounting

A	without flange
B	Flange DN 80 PN 16
D	Flange ANSI 3", 150 lbs
E	Flange JIS 10K 80A

Weight

PVDF (500 mm / 2500 mm)	approx. 2.5 kg / approx. 3.0 kg
Stainless steel 1.4404 (500 mm / 2500 mm)	approx. 8.0 kg / approx. 12.0 kg

Materials in contact with medium

Immersion tube	PVDF / stainless steel 1.4404
O-rings	EPDM / Viton / Chemraz / Fluoraz
Measuring cell holder	PVDF / stainless steel 1.4404

Materials not in contact with medium

Protection cap	PP-GF 20
Loose flange	UP-GF (PVDF version)
Screw-in lifting eyes	stainless steel 1.4301

Operating data

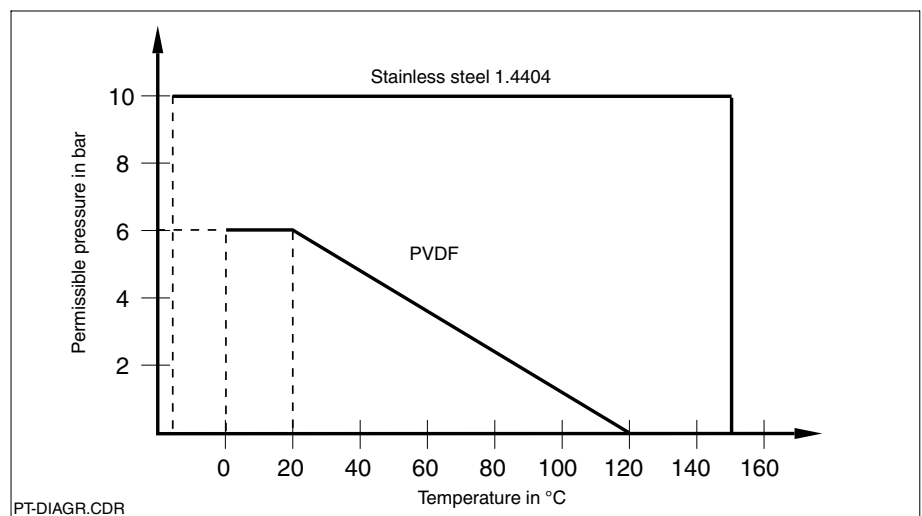
Operating pressure

PVDF version	max. 6 bar (at 20 °C)
Stainless steel version 1.4404	max. 10 bar

Operating temperature

PVDF version	0 ... +120 °C
Stainless steel version 1.4404	-15 ... +150 °C (EPDM 140 °C)

Pressure / temperature diagram



Note:



The operating limits of the complete system are determined by the operating limits of the components involved (assembly, measuring cell, cable, accessories, etc.)!

Subject to modifications.

How to order

Immersion assembly DipFit P CLA 140

Assembly material

- 2 PVDF
- 3 Stainless steel 1.4404 (316 L)

Sensor holder

- A Thread connection G 3/4 for CLS 50

Immersion depth (including sensor)

- 1 500 mm
- 2 1000 mm
- 3 1500 mm
- 4 2000 mm
- 5 2500 mm

Process connection

- A Without flange
- B Flange DN 80 PN 16
- D Flange ANSI 3", 150 lbs
- E Flange JIS 10K 80A

Sealing material

- 1 EPDM
- 2 Viton
- 3 Chemraz
- 4 Fluoraz

Equipment

- 10 Standard equipment
- 20 Assembly desiliconized
- 30 Certificate acc. to EN 10204-3.1.B

CLA 140-

--	--	--	--	--	--	--

complete order code

Endress+Hauser GmbH+Co.
- Instruments International -

P.O. Box 2222
 D-79574 Weil am Rhein
 Tel. (07621) 975 - 02
 Fax (07621) 975345

Endress+Hauser

Nothing beats know-how

