

# Conductivity Sensor for High-Temperature Applications *ConduMax W CLS 12*

Two-electrode sensors  
with cell constant  $k = 0.01 \text{ cm}^{-1}$  or  $k = 0.1 \text{ cm}^{-1}$



## Application

This conductivity sensor is designed for industrial and power plant applications (e.g. condensate measurement) where low conductivities must be measured under high pressures and temperatures.

The measuring range of the sensors depends on the cell constant  $k$ .

- $k = 0.01 \text{ cm}^{-1}$ : 0.04 ... 20  $\mu\text{S}/\text{cm}$
- $k = 0.1 \text{ cm}^{-1}$ : 0.1 ... 200  $\mu\text{S}/\text{cm}$

Sensors with a Pt 100 temperature sensor are used together with conductivity measuring instruments equipped with automatic temperature compensation:

- Mycom S CLM 153
- Liquisys M CLM 223/253
- MyPro CLM 431

For measurement of specific resistance,  $\text{M}\Omega \cdot \text{cm}$  measuring ranges are available in the menus of these transmitters.



With ATEX approval for application in hazardous areas.

## Your benefits

- Optimum adaptation to process conditions or mounting place due to different designs
- Mounting in pipes or flow chambers
- Application with temperatures of up to 160 °C / 320 °F and pressures of up to 40 bar / 580 psi
- Simple measuring cable connection due to large connection compartment
- Quality certificate stating the individual cell constant

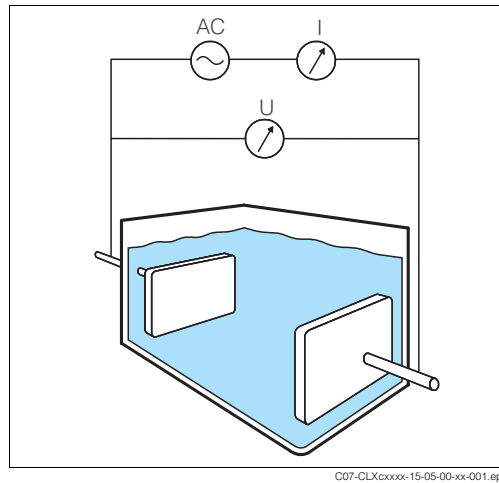
With  
quality certificate



## Function and system design

### Measuring principle

### Conductive conductivity measurement



The conductivity of liquids is measured with a measuring system that has two coaxially arranged electrodes like a capacitor. The electric resistance or its reciprocal value, the conductance  $G$ , is measured according to Ohm's law. The specific conductivity  $\kappa$  is determined using the cell constant  $k$  that is dependent on the sensor geometry.

*Conductive conductivity measurement*

AC Power supply  
I Current meter  
U Voltage meter

### Important properties ConduMax W CLS 12

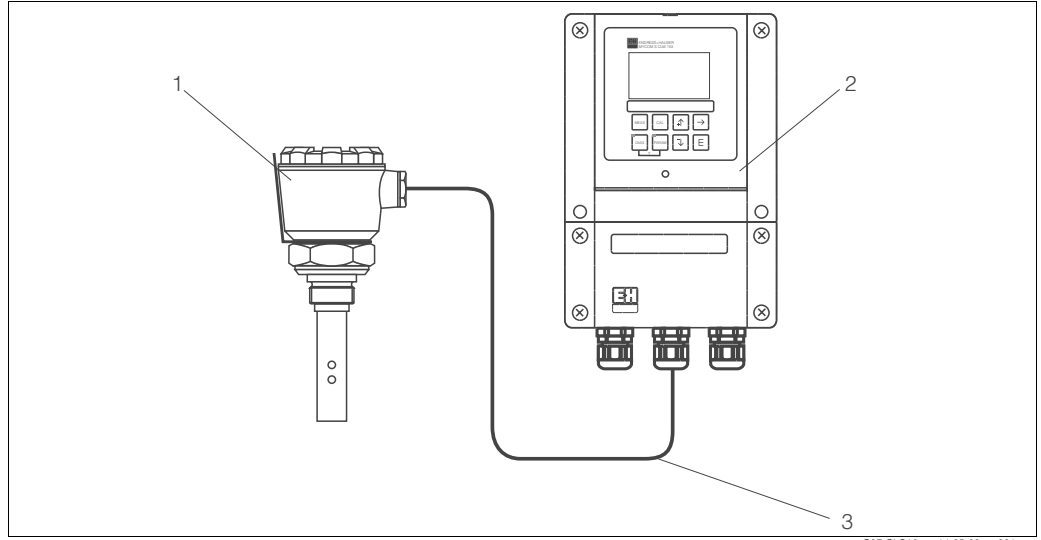
- **Electrodes**  
ConduMax W CLS 12 has especially large coaxial measuring electrodes. These allow high flow rates and high accuracy.
- **Temperature compensation**  
In addition, a Pt 100 temperature sensor is installed in the inside electrode to measure the medium temperature. The high thermal conductivity allows fast adjustment of the sensor to the medium temperature, thereby guaranteeing precise automatic temperature compensation in the connected measuring transmitter.
- **Durability**  
The sensors are distinguished by high thermal, chemical and mechanical resistances. The maximum operating pressure is 40 bar / 580 psi (up to 100 °C / 212 °F), the maximum operating temperature is 160 °C / 320 °F (up to 6 bar / 87 psi).
- **Use in superheated steam or ultrapure water**  
Special sealing materials are available for use in superheated steam or ultrapure water at high temperatures. For these applications, no nominal durability of the standard EPDM material can be given.

**Measuring system**

A complete measuring system comprises:

- a CLS 12 conductivity sensor
- a transmitter, e.g. Mycom S CLM 153
- a CYK 71 or CYK 71-Ex measuring cable

Optionally, the CLA 751 flow chamber (see Accessories) can be used for installation into the process.

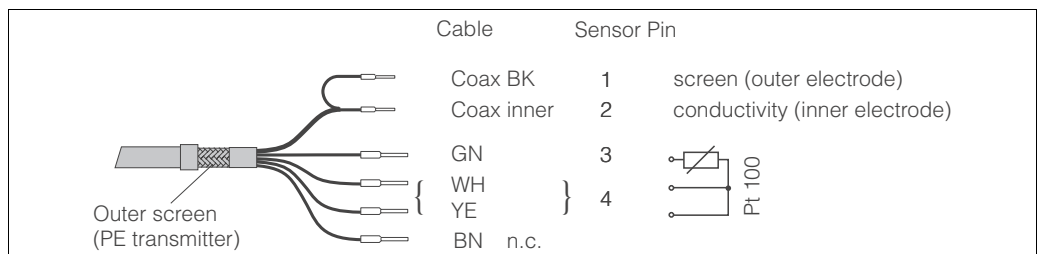


Measuring system example

- 1 ConduMax W CLS 12
- 2 Transmitter Mycom S CLM 153
- 3 Measuring cable

**Input**

<b>Measured values</b>	Conductivity Temperature	
<b>Cell constant k</b>	Depending on ordered version: k = 0.01 cm <sup>-1</sup> k = 0.1 cm <sup>-1</sup>	
<b>Measuring ranges</b>	Conductivity	(referenced to water at 25 °C / 77 °F)
	k = 0.01 cm <sup>-1</sup> :	0.04 µS/cm ... 20 µS/cm
	k = 0.1 cm <sup>-1</sup> :	0.1 µS/cm ... 200 µS/cm
	Temperature	-30 ... 160 °C / -22 ... 320 °F
<b>Temperature sensor</b>	Pt 100	
<b>Cable specification</b>	The ConduMax W is connected to the transmitter using the special measuring cable CYK 71 or CYK 71-Ex.	



Special measuring cable CYK 71 / CYK 71-Ex

## Installation

### Installation instructions

Sensors equipped with a G 1 or NPT 1" thread can be mounted in a CLA 751 flow chamber (see Accessories) or directly in a pipe via the thread G1 or NTP 1" process connections. When mounting the sensor, make sure that the measuring surfaces are completely wetted by the medium during operation. When working in ultrapure water, ingress of air must be avoided since dissolved air, particularly CO<sub>2</sub>, may increase conductivity by up to 3 μS/cm. The minimum immersion depth is 50 mm / 1.97".

## Environment

### Ingress protection

IP 67

## Process

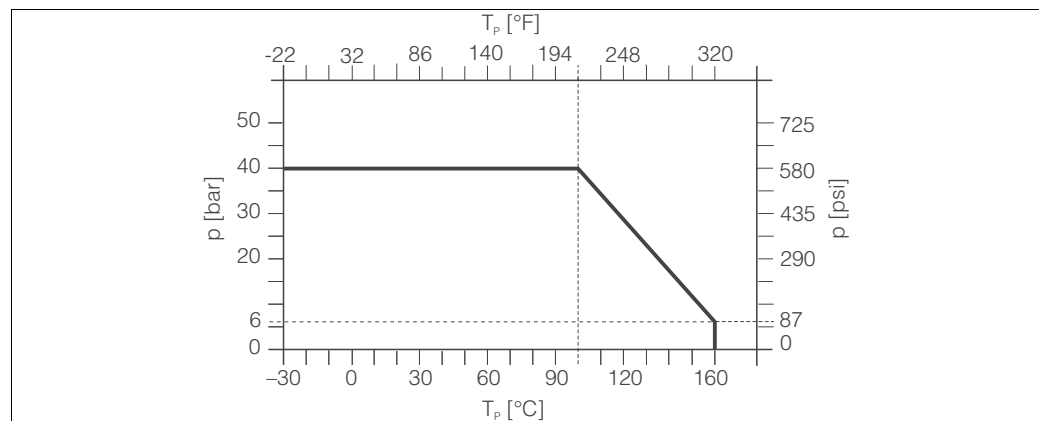
### Process temperature

-30 ... 160 °C / -22 ... 320 °F

### Process pressure

max. 40 bar / 580 psi (up to 100 °C / 212 °F) without CLA 751 flow chamber  
 max. 12 bar / 174 psi (up to 150 °C / 302 °F) with CLA 751 flow chamber

### Pressure/temperature load curve

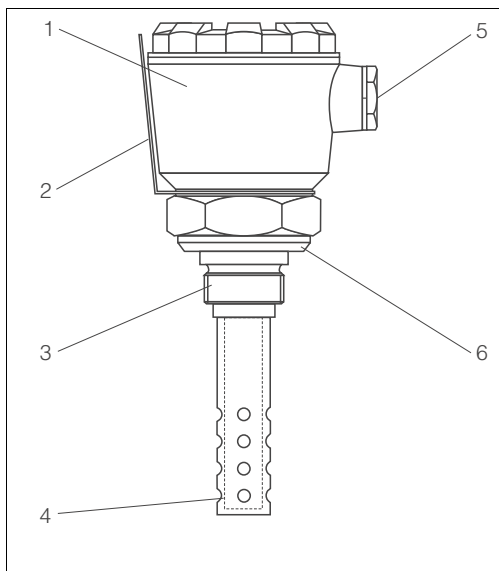


Pressure/temperature load curve of CLS 12

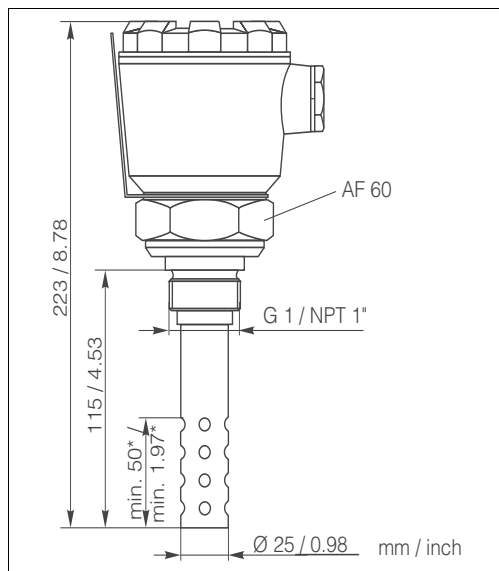
C07-CLS12xxx-05-00-en-001.eps

## Mechanical construction

### Design, dimensions



C07-CLS12xxx-16-05-00-xx-001.eps



C07-CLS12xxx-06-05-00-en-001.eps

#### CLS 12 design

- 1 Connection head
- 2 Nameplate
- 3 Internal thread
- 4 Electrodes (coaxially arranged)
- 5 Measuring cable connection Pg 16 / NPT 1/2
- 6 Sealing surface acc. to DIN 3852 BI 2, Form A

#### CLS 12 dimensions

- \* Immersion depth

**Weight** approx. 1.4 kg / 3.1 lb.

**Materials**

Electrodes	stainless steel 1.4571 (AISI 316Ti)
Process connection	stainless steel 1.4571 (AISI 316Ti)
Connection head	die-cast aluminium
Sealing of electrodes	EPDM, PEEK

**Process connection** G 1 or NPT 1" thread

**Cable connection** Pg 16 cable gland or NPT 1/2" cable entry

## Certificates and approvals

**Ex approval**

- ATEX II 1G EEx ia IIC T3 / T4 / T6
- FM in combination with the MyPro CLM 431 and Mycom S CLM 153 transmitters

for all product versions listed in the product structure (see Ordering Information)

**Quality certificate** with statement of the individual cell constant

## Ordering information

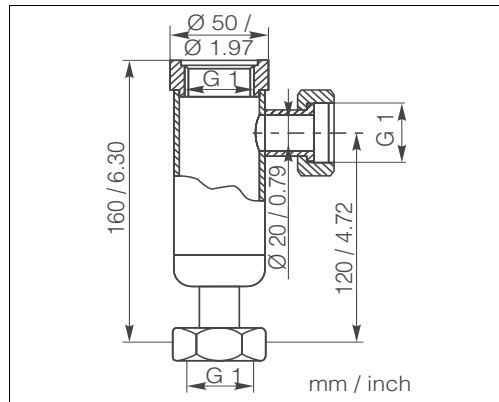
**Product structure**  
**ConduMax W CLS 12**

Measuring range and cell constant	
A	Measuring range: 0.04 ... 20 µS/cm (k = 0.01)
B	Measuring range: 0.1 ... 200 µS/cm (k = 0.1)
Process connection and materials	
1D	Thread G 1, stainless steel 1.4571 (AISI 316Ti)
1K	Thread NPT 1", stainless steel 1.4571 (AISI 316Ti)
Measuring cable connection	
1	Cable gland Pg 16
5	Cable entry NPT ½"
Temperature sensor	
A	Integrated Pt 100 temperature sensor
CLS 12-	<b>complete order code</b>

## Accessories

**Assemblies**

- CLA 751 flow assembly



CLA 751 flow assembly

For installation of conductivity sensors with G 1 thread.

Inlet (bottom) and outlet (lateral) DN 20 with union nuts G 1.

Stainless steel 1.4571 (AISI 316Ti)

Max. temperature: 160 °C / 320 °F

Max. pressure: 12 bar / 174 psi

Order no.: 50004201

**Measuring cables**

- Special measuring cable / extension cable CYK 71  
for two-electrode conductivity sensors with integrated temperature sensor,  
1 low-noise coaxial line, 4 auxiliary cores at 0,75 mm<sup>2</sup> each with a common screen, outer  
diameter 7 mm / 0,25"

Sold by the metre, minimum length 5 m / 15 ft    Order no. 50085333  
Length 5 m / 15 ft    Order no. 50088280  
Length 10 m / 30 ft    Order no. 50088281  
Length 50 m / 150 ft    Order no. 50088284  
Length 100 m / 300 ft    Order no. 50088285

- Special measuring cable / extension cable CYK 71-Ex  
for Ex applications,  
see CYK 71, but with a blue sheath

Sold by the metre, minimum length 5 m / 15 ft    Order no. 50085673

- Junction box VBM  
for cable extension, with 10 terminals, IP 65 / NEMA 4X

Cable entry Pg 13,5    Order no. 50003987  
Cable entry NPT 1/2"    Order no. 51500177

- Junction box VBM-Ex  
for cable extension in hazardous areas, with 10 high-impedance terminals (blue),  
IP 65 / NEMA 4X;  
order no. 50003991

---

**Calibration solutions**

- Calibration solutions  
Precision solutions referred to SRM (Standard Reference Material) of NIST for qualified  
calibration of conductivity measuring systems according to ISO, accuracy  $\pm 0,5 \%$ , with  
temperature table,  
– CLY 11-A  
74  $\mu\text{S/cm}$  (reference temperature 25 °C / 77 °F), 500 ml;  
order no. 50081902  
– CLY 11-B  
149,6  $\mu\text{S/cm}$  (reference temperature 25 °C / 77°F), 500 ml;  
order no. 50081903

---

**Calibration set**

- Calibration set ConCal  
Conductivity calibration set for ultrapure water applications,  
complete, factory-calibrated measuring set with certificate, traceable to SRM of NIST and DKD,  
comparative measurement in ultrapure water applications up to 10  $\mu\text{S/cm}$   
– 230 V AC, order no. 50083777  
– 115 V AC, order no. 50083778
- Recalibration ConCal  
Factory recalibration and new issue of calibration certificate, traceable to SRM of NIST and  
DKD, factory calibration procedure according to ASTM D-5391-93;  
order no. 51502486

---

**Related products**

- Conductive conductivity sensor ConduMax W CLS 13  
For process temperatures up to 250 °C / 482 °F and process pressures up to 40 bar / 580 psi,  
for ordering information, see the technical information of CLS 13

# Documentation

---

## Ex documentation

- Conductivity sensors for application in hazardous areas, XA 083C/07/a3; order no. 51512902
- 

## Transmitters

- Mycom S CLM 153, Technical Information TI 234C/07/en; order no. 51503792
  - Liquisys M CLM 223/253, Technical Information TI 193C/07/en; order no. 51500279
  - MyPro CLM 431, Technical Information TI 202C/07/en; order no. 51500563
- 

## Calibration solutions

- Precision calibration solution CLY 11, Technical Information TI 162C/07/en; order no. 50086574
- 

## Calibration set

- ConCal, Technical Information TI 163C/07/en; order no. 50085983
- 

## Related products

- ConduMax W CLS 13, Technical Information TI 083C/07/en; order no. 50059350

---

---

### Endress+Hauser GmbH+Co. KG

Instruments International  
P.O. Box 2222  
D-79574 Weil am Rhein  
Germany

Tel. (07621) 975-02  
Tx 773926  
Fax (07621) 975 345  
e-mail: [info@ii.endress.com](mailto:info@ii.endress.com)

### Internet:

<http://www.endress.com>

**Endress + Hauser**  
The Power of Know How

