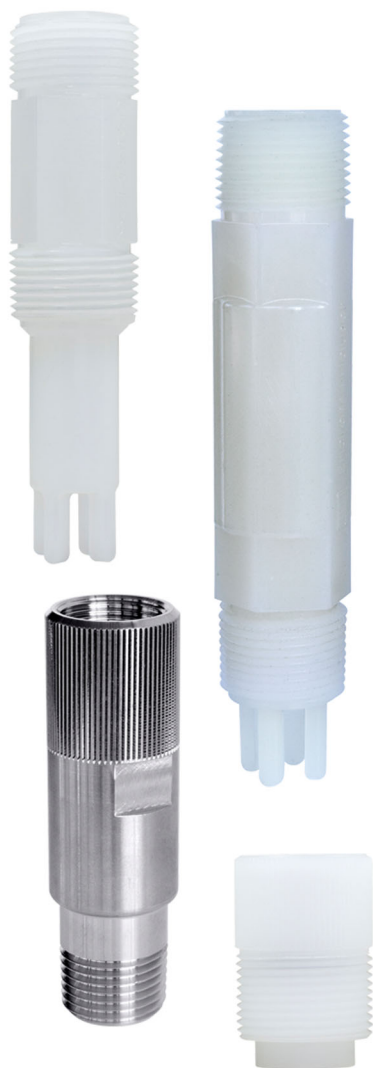


# Technische Information

## Ecofit CPA640

Universal compact assembly

For the installation of 120 mm sensors for all areas of water management and industry



### Application

Ecofit is an adapter designed for the installation of sensors with  $\varnothing$  12 mm (0.47") in NPT process connections in:

- wastewater treatment
- water treatment
- condensate treatment
- water cooling

### Your benefits

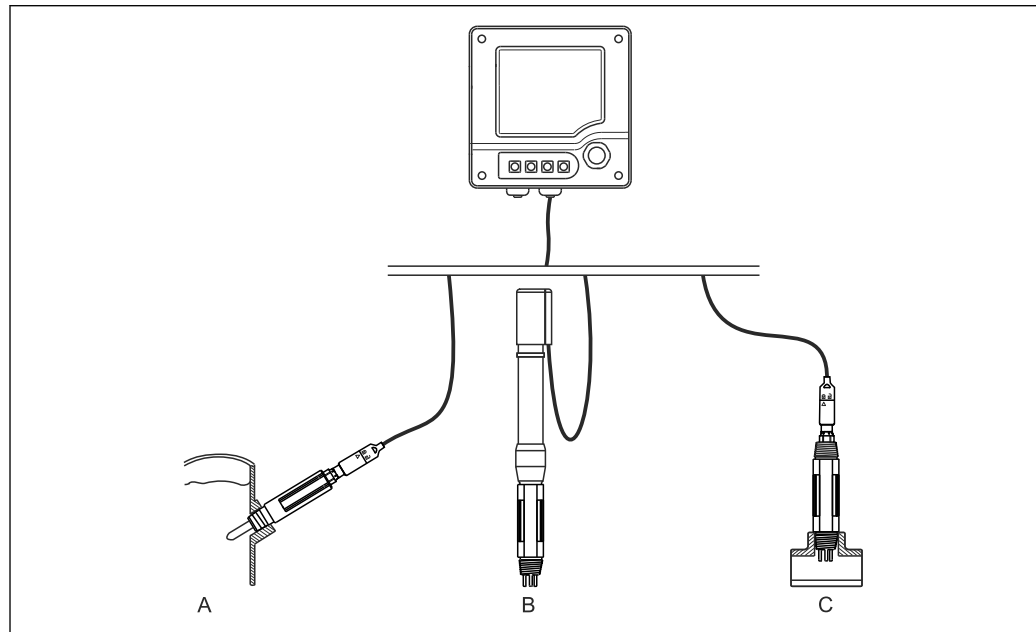
- Simple and flexible
  - Installation of standard sensors with Pg 13.5 and 120 mm (4.72") in length into existing adapters or assemblies with NPT connections
  - Threaded connection for fast installation/removal
- Robust and reliable
  - PVDF or stainless steel 316L (1.4404/1.4435)
  - Version with basket protector available to protect glass electrodes
  - Process seal available in a variety of materials: VITON, EPDM, KALREZ, CHEMRAZ
- Cost-reducing
  - Enables the economical use of gel or KCl sensors with Memosens technology
  - For common connections such as NPT  $\frac{1}{2}$ " and NPT  $\frac{3}{4}$ "

## Function and system design

### Measuring system

A complete measuring system comprises:

- Ecofit CPA640 installation adapter
- Sensor with Pg 13.5, length 120 mm, e.g. Orbisint CPS11D
- Transmitter, e.g. Liquiline CM42
- Measuring cable, e.g. CYK10



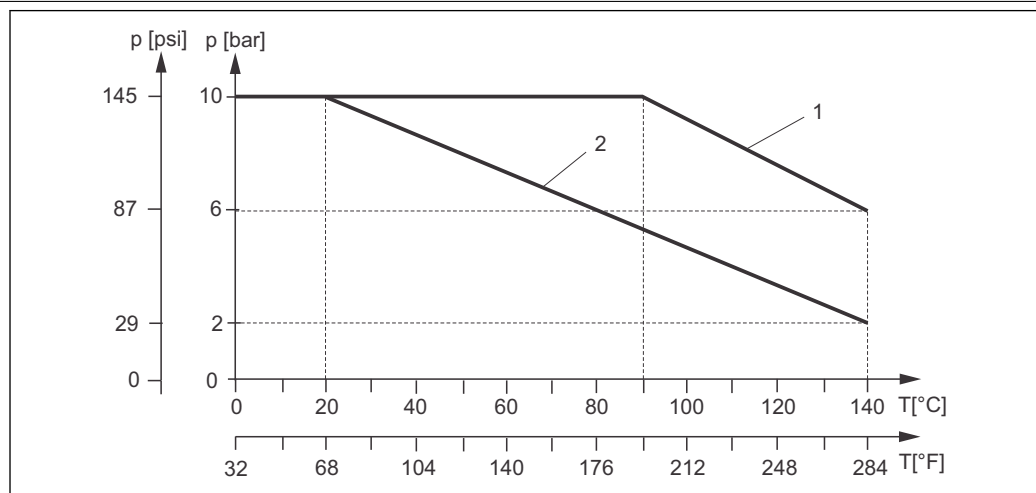
A0007692

1 Measuring system with CPA640, transmitter (CM42), sensor and cable

- A Direct installation at NPT process connection  
 B Installation in immersion assembly (CYA611)  
 C Installation in flow assembly

## Process

### Pressure-temperature ratings



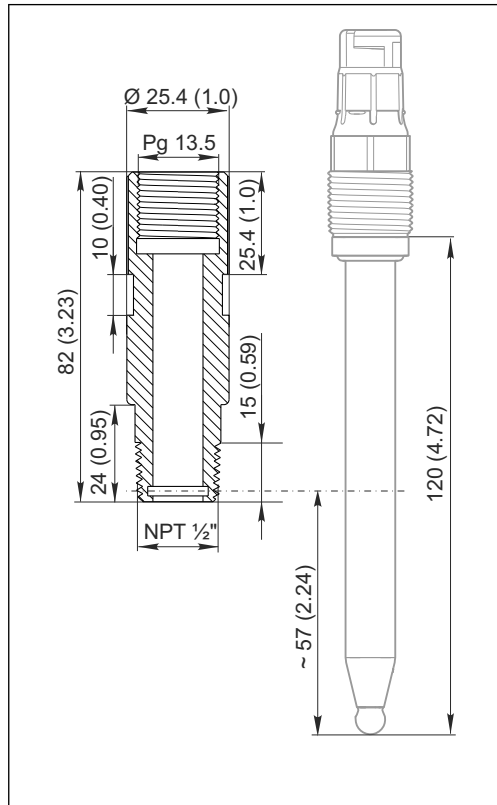
A0007695

2 Pressure-temperature ratings

- 1 Stainless steel 1.4404 / 1.4435 (AISI 316L), MONEL  
 2 PVDF

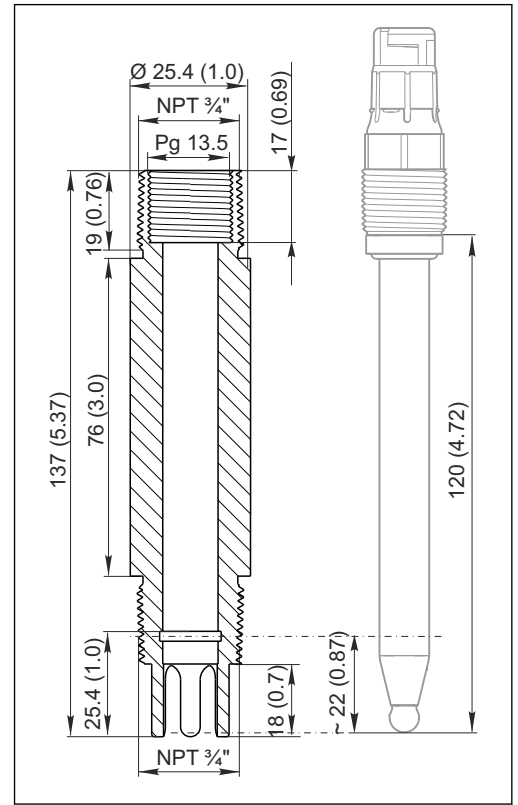
## Mechanical construction

### Design, dimensions



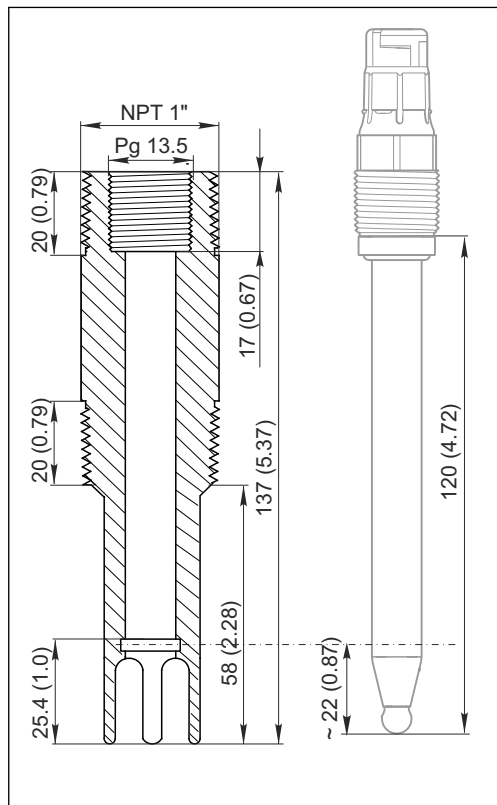
A0024792

3 CPA640-A/B\*\*\*



A0024793

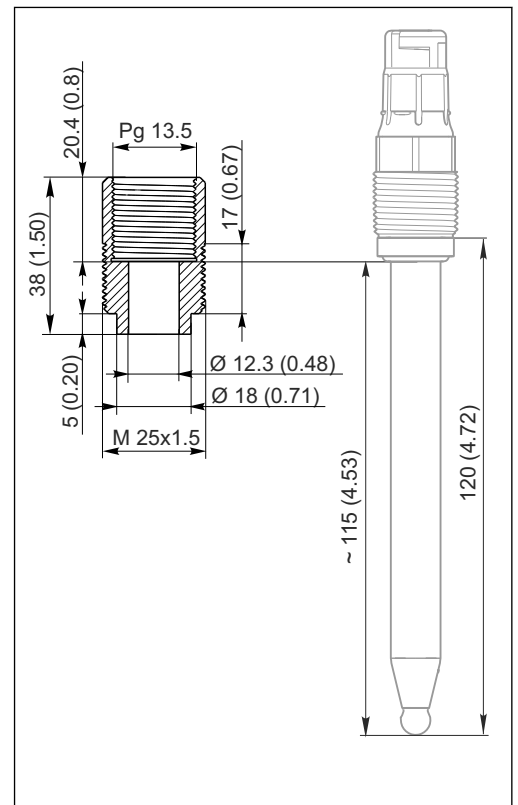
4 CPA640-C/D\*\*\*



A0024794

5 CPA640-E\*\*\*

Measures in mm (inch)



A0024795

6 CPA640-G/I\*\*\*

**Weight** Approx. 0.1 to 0.3 kg (0.22 to 0.66 lbs) depending on the version

**Materials**

Adapter body

CPA640-A/C/E/G\*\*\*

PVDF (polyvinylidene fluoride)

CPA640-B/D\*\*\*

Stainless steel 316L (1.4404/14435))

CPA640-I\*\*\*

MONEL

Sealing ring

FDM (VITON), EPDM, CHEMRAZ, KALREZ

Endress+Hauser supplies DIN/EN process connections with stainless steel threaded connection in accordance with AISI 316L (DIN/EN material number 1.4404 or 14435). With regard to their stability-temperature property, the materials 1.4404 and 1.4435 are grouped together under 13E0 in EN 1092-1, Tab. 18. The chemical composition of the two materials can be identical.

**Process connections**

- The assembly can only be installed if the process is unpressurized and the container is empty.
- The assembly is designed for installation on containers, pipes or in flow assemblies.
- Appropriate process connections must be provided for the installation.
- Make sure the orientation is correct. Information can be found in the manual of the sensor used.

*Process connections depend on the assembly version:*

Assembly version	Process connection
CPA640-A/B***	NPT ½"
CPA640-C/D***	NPT ¾"
CPA640-E***	NPT 1"
CPA640-G/I***	M25x1.5

## Ordering information

**Product page**

[www.endress.com/cpa640](http://www.endress.com/cpa640)

**Configurator**

The navigation area is located on the right of the product page.

1. Under "Device support" click "Configure your selected product".
  - ↳ The Configurator opens in a separate window.
2. Select all the options to configure the device in line with your requirements.
  - ↳ In this way, you receive a valid and complete order code for the device.
3. Export the order code as a PDF or Excel file. To do so, click the appropriate button at the top of the screen.

**Scope of delivery**

The scope of delivery comprises:

- Assembly in the version ordered
- Operating Instructions

## Accessories



The following are the most important accessories available at the time this documentation was issued. For accessories not listed here, please contact your service or sales office.

### Sensors (selection)

#### pH sensors

##### **Ceragel CPS71D / CPS71**

- pH electrode with double-chamber reference system and integrated bridge electrolyte
- Product Configurator on the product page: [www.endress.com/cps71d](http://www.endress.com/cps71d) or [www.endress.com/cps71](http://www.endress.com/cps71)



Technical Information TI00245C

##### **Ceraliquid CPS41D / CPS41**

- pH electrode with ceramic junction and KCl liquid electrolyte
- Product Configurator on the product page: [www.endress.com/cps41d](http://www.endress.com/cps41d) or [www.endress.com/cps41](http://www.endress.com/cps41)



Technical Information TI00079C

##### **Tophit CPS471D / CPS471**

- Sterilizable and autoclavable ISFET sensor for food and pharmaceuticals, process engineering
- Water treatment and biotechnology
- Product Configurator on the product page: [www.endress.com/cps471d](http://www.endress.com/cps471d) or [www.endress.com/cps471](http://www.endress.com/cps471)



Technical Information TI00283C

#### ORP sensors

##### **Ceragel CPS72D / CPS72**

- ORP electrode with double-chamber reference system and integrated bridge electrolyte
- Product Configurator on the product page: [www.endress.com/cps72d](http://www.endress.com/cps72d) or [www.endress.com/cps72](http://www.endress.com/cps72)



Technical Information TI00374C

#### Oxygen sensors

##### **Oxymax COS22D / COS22**

- Sterilizable sensor for dissolved oxygen
- With Memosens technology or as an analog sensor
- Product Configurator on the product page: [www.endress.com/cos22d](http://www.endress.com/cos22d) or [www.endress.com/cos22](http://www.endress.com/cos22)



Technical Information TI00446C

---

---

[www.addresses.endress.com](http://www.addresses.endress.com)

---